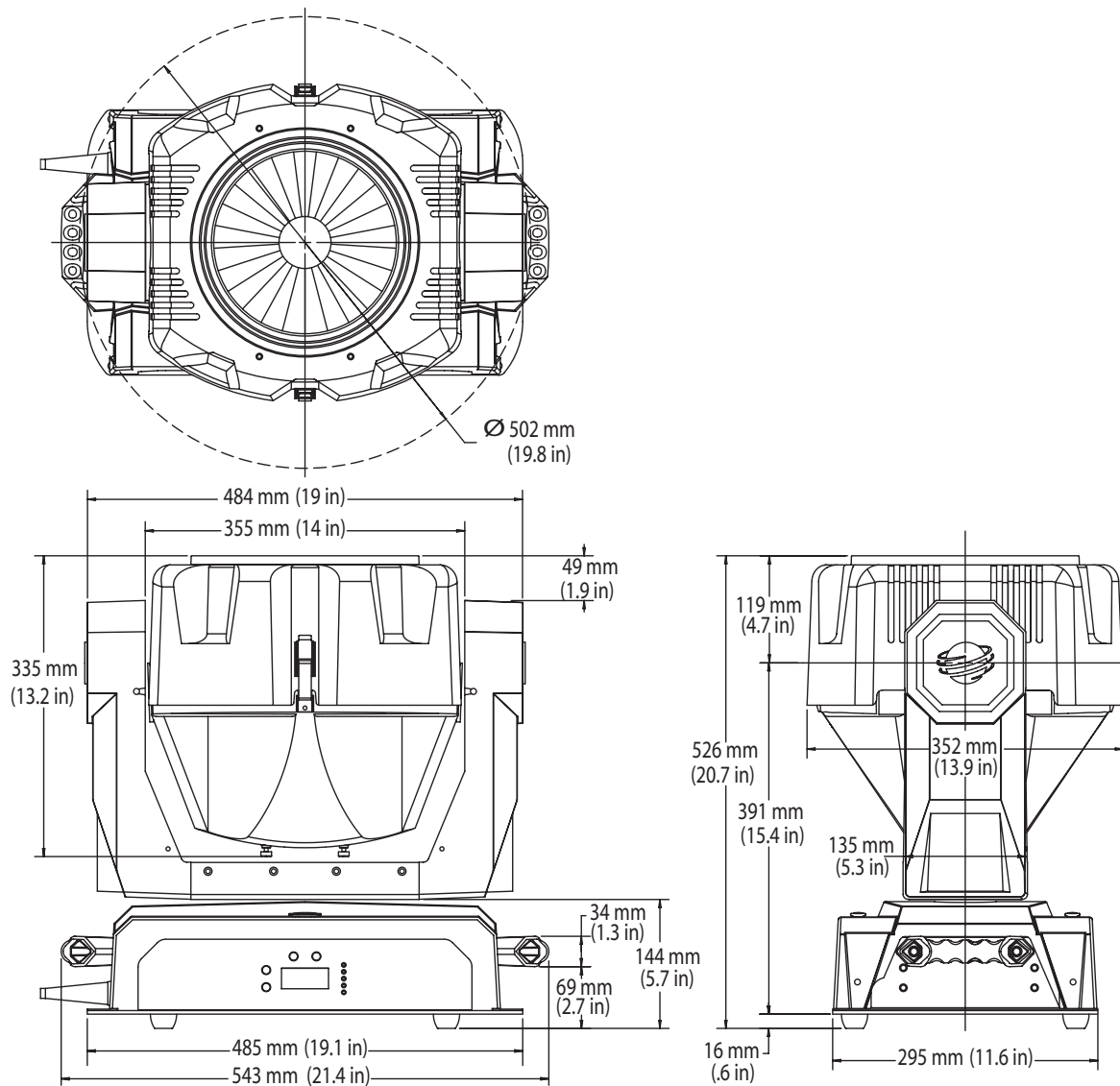


## Specifications

### Mechanical

**Dimensions:** 352mm x 544mm x 526mm  
13.9 in x 21.4 in x 20.7 in

**Weight:** 1200/700 Model - 24.9 kg (55 lbs)  
H Model - 21.7 kg (48 lb)



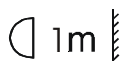
### Environmental

**Maximum ambient temperature, ( $T_a$ ):** 50° C (122° F)

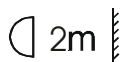
**Maximum exterior surface temperature:** 160° C (320° F)



**WARNINGS:**



**Minimum distance to flammable objects: 3.28 ft (1.0 m)**



**Minimum distance to lighted object: 6.56 ft (2.0 m)**



**Do not mount on a flammable surface.**

## Electrical

### Power

Model	Maximum Rated Power	
Studio Command 1200	230 V @ 6.1 AMP	1400 W
Studio Command 700	230 V @ 4.3 AMP	1200 W
Studio Command H	230 V @ 5.2 AMP*	1200 W

\* Total fixture and dimmer controlled lamp

### Fuses

#### Logic Board Fuses:

**F1** - 2.5A, 250V, Slow Blow only (5 mm x 20 mm)

**F2** - 2.5A, 250V, Slow Blow only (5 mm x 20 mm)

#### Motor Power Supply Fuses:

**F1** - 6.3A, 250V, Slow Blow only (5 mm x 20 mm)

**F2** - 6.3A, 250V, Fast Blow only (5 mm x 20 mm)

#### Filter Board Fuses:

**F1** - 16A, 250V, Fast Blow only (5 mm x 20 mm)

**F2** - 16A, 250V, Fast Blow only (5 mm x 20 mm)

**Voltage Surge:** A surge of 2000V or more may damage the power supply.



**Warning: Class 1 equipment - This equipment must be earthed.**

## Cable and Connector Specifications

**DMX data cables:** Belden® 9841 or equivalent (meets specifications for EIA RS-485 applications) with the following characteristics:

- 2-conductor twisted pair plus a shield
- maximum capacitance between conductors - 30 pF/ft.
- maximum capacitance between conductor and shield - 55 pF/ft.
- maximum resistance of 20Ω / 1000 ft.
- nominal impedance 100-140Ω

**DMX data connectors, 1200/700 Model:** 3-pin or 5-pin male and female XLR connectors

**DMX data connectors, H Model:** 5-pin male and female XLR connectors

**DMX data terminators:** Male XLR connector with 120 ohm terminator

## Lamp Specifications

	Studio Command 1200		Studio Command 700		Studio Command H
	<i>Primary Lamp</i>	<i>Alternate Lamp</i>	<i>Primary Lamp</i>	<i>Alternate Lamp</i>	
<b>Lamp:</b>	PHILIPS MSR1200	PHILIPS MSR1200/2	PHILIPS MSR700	PHILIPS MSR700/2	PHILIPS 7002 Y
<b>Luminous Flux</b>	110,000 lm	110,000 lm	56000 lm	55000 lm	29,000 lm
<b>Arc Length</b>	10 mm	10 mm	8 mm	8 mm	N/A
<b>Color Temperature</b>	5900 K	7200 K	5600 K	7200 K	3200 K
<b>Lamp Life 50%</b>	800 hrs	800 hrs	1000 hrs	1000 hrs	250 hrs
<b>CRI</b>	95	85	95	80	100
<b>CIE</b>	X=.325; Y=.320	X=.302; Y=.320	X=.330; Y=.330	X=.302; Y=.320	